

MAGO

JUST NOW

PREPARE YOUR STORE FOR SPRING
FREESTANDING DISPLAY

DIY



www.mago.com

VERSION: NOVEMBER 2017



SPRING...? It's time to think about it.

Spring is still far away, but in our opinion NOW it is the time to think about what your store will need during the home and garden season. We encourage you to familiarize yourself with the collection of solutions that will help you to arrange your sales space and make your exhibition more attractive to your customers during spring season.

IF YOU HAVE ANY QUESTIONS - CONTACT WITH OUR REPRESENTATIVE
OR DISTRIBUTOR ON:

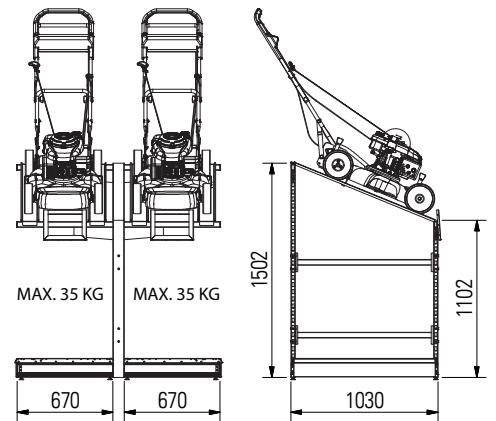
www.mago.com

DISPLAY STAND LAWN MOWER



- ISLAND DISPLAY - EASY FOR ARANGMENT
- ADJUSTABLE SHELVES
- PRODUCTS STORAGE POSSIBILITY

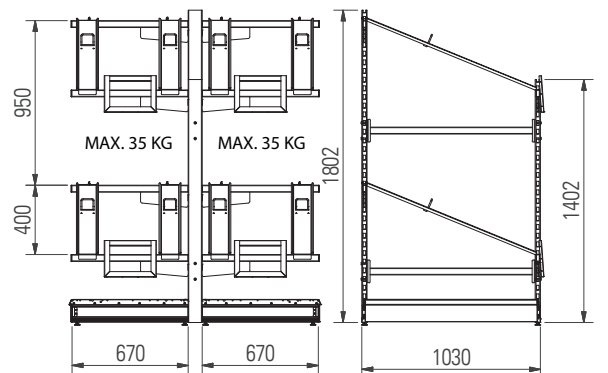
Dimensions



CODE	NAME	INFO
AA-020241000	LAWN MOWER DISPLAY STAND 1 LEVEL	SET



Dimensions



CODE	NAME	INFO
AA-020251000	LAWN MOWER DISPLAY STAND 2 LEVEL	SET

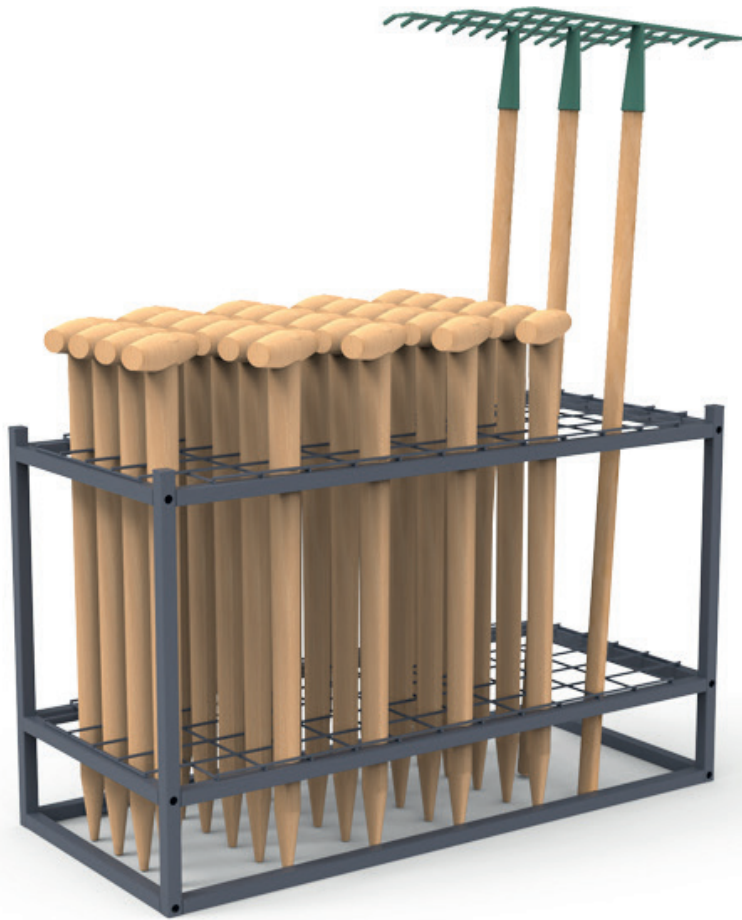
DISPLAY STAND GARDEN TOOLS



CONVINIENT TO CLIENT
MANY ACCESSORIES
HIGH STRENGTH

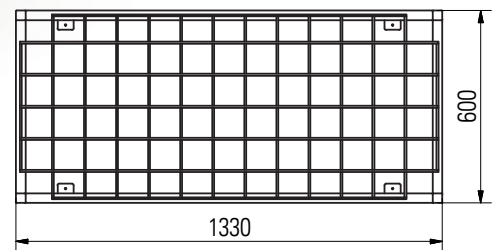
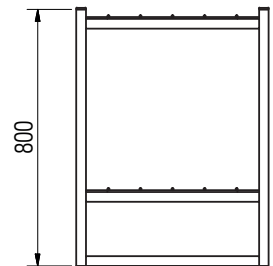
NO	CODE	NAME	QTY	INFO
1	TE-N17006180	UPRIGHT 60 ×30 DRILLED	2	STANDARD SET
2	TE-N96347011	BASE LEG 470	2	
3	TE-B00021330	TIE BAR 40X20	2	
4	NE-P00471330	SHELF CLASSIC	1	
5	ME-B00591330	BAR 27X40	2	ACCESSORIES
6	AA-010990700	BIN FOR STICKS H-700	ACCORDING TO NEEDS	
7	WB-A10703400	HOOK ARM RSB 27X40 L-400 /TOOLS/	ACCORDING TO NEEDS	
8	WB-A02408400	HOOK RSB 27X40 L-400 D-8 (WITH LABEL HOLDER FIX)	ACCORDING TO NEEDS	
9	WA-E00000101	PRICE LABEL	ACCORDING TO NEEDS	
10	WB-A10402400	HOOK RSB 27X40 L-400 /AX/	ACCORDING TO NEEDS	

DISPLAY STAND GARDEN TOOLS



LIGHT CONSTRUCTION
ORGANIZED EXHIBITION

Dimensions



CODE	NAME	INFO
AA-003331330	FREESTANDING DISPLAY STAND FOR GARDEN TOOLS	SET

* POSSIBILITY OF MOUNTING THE BOARD
(NO IN SET)

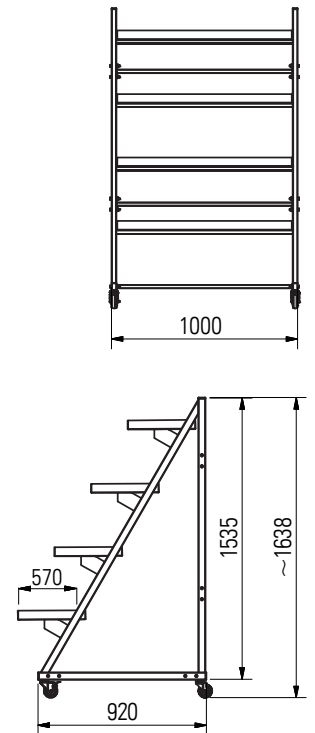


DISPLAY STAND FLOWERS



- VISIBILITY OF THE PRODUCT
- MOBILITY
- AVAILABLE INDOOR OR OUTDOOR VERSIONS

Dimensions



NO	CODE	NAME	QTY	INFO
1	AA-019961000	FLOWER DISPLAY STAND H-1600 D-900 L-1000	1	SET
2	ME-P46571000	SHELF FLOWER DISPLAY STAND D-570 L-1000	ACCORDING TO NEEDS (4 OR 5 PCS)	ADDITIONAL



INDOOR



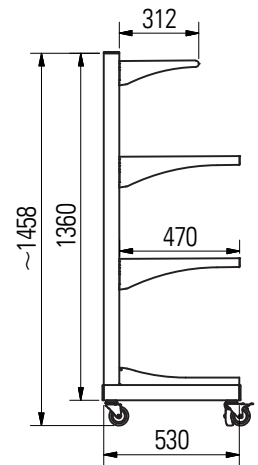
OUTDOOR

DISPLAY STAND FLOWERS



ATTRACTIVE FLOWER EXHIBITION
BIG SHELVING SPACE FOR PRODUCTS
MOBILITY

Dimensions



CODE	NAME	INFO
AA-019361330	FLOWER DISPLAY STAND D-530 H-1360 L-1330 - INFO	SET

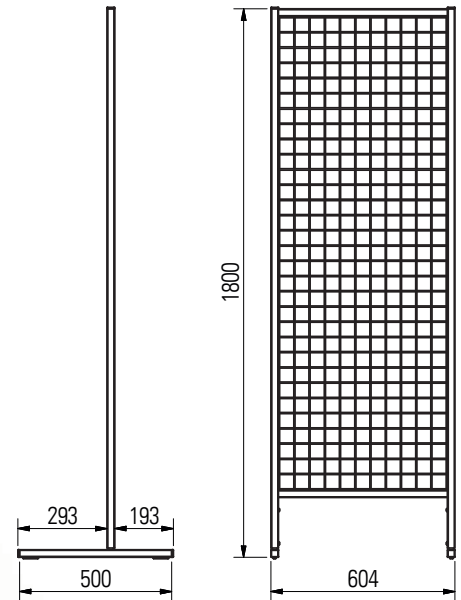
* BUCKETS NO IN SET

DISPLAY STAND SEEDS



VERSATILE GRATE SOLUTION
BRANDING
EASY FOR TRANSPORT AND STORAGE

Dimensions



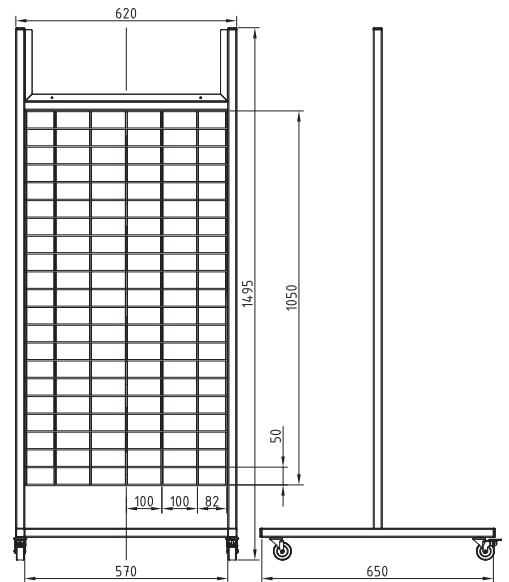
NO	CODE	NAME	QTY	INFO
1	AA-196401800	GRATE DISPLAY L-600 H-1800	1	SET
2	AA-196440600	TOP BRANDING FRAME 25 L-600 H-100	1	ACCESSORIES

DISPLAY STAND MAGAZINES & ACCESSORIES



LIGHT CONSTRUCTION
MOBILITY SOLUTION
HOOKS & BOOK SHELVES

Dimensions



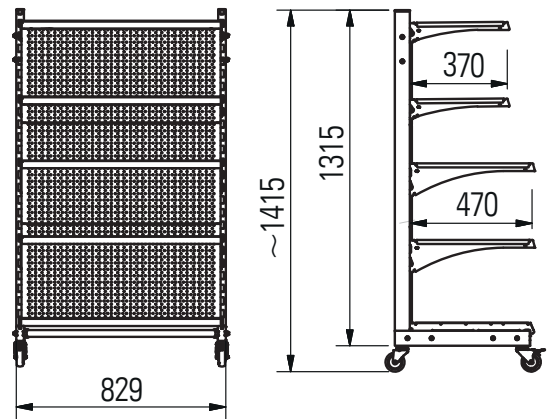
NO	CODE	NAME	QTY	INFO
1	CA-010610620	GRATE DISPLAY WITH WHEELS L-620 D-650 H-1425	1	SET
2	WK-R10539610	WIRE SHELF FOR MAGAZINES L-610 D-390 H-40	ACCORDING TO NEEDS	ACCESSORIES
3	WK-R01605200	HOOK FOR GRID L-200 D-7 (WITH LABEL HOLDER FIX) D-5 L-200	ACCORDING TO NEEDS	

DISPLAY STAND SUPPORT FOR CHECKOUTS AREA



VERSALITY
MOBILITY
ADJUSTABLE

Dimensions



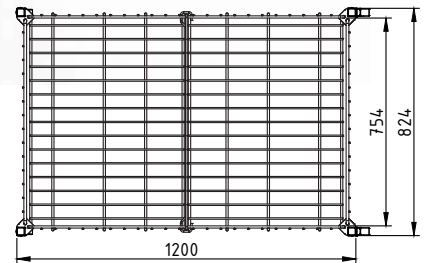
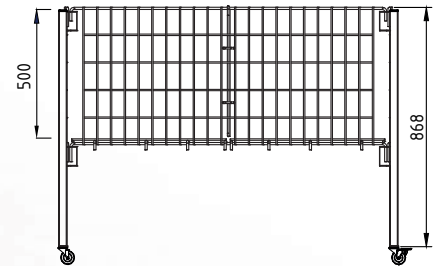
CODE	NAME	QTY	INFO
AA-019400470	MOBILITY DISPLAY AND ACCESSORIES	1	SET

DISPLAY STAND PROMOTIONAL DUMP BIN



DOUBLE ADJUSTED BOTTOM
SUPPORT PROMOTION
DISCOUNT PROMOTION

Dimensions



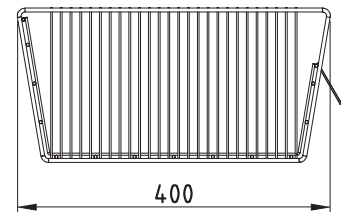
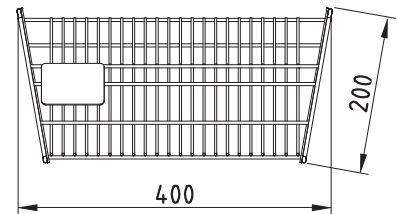
CODE	NAME	QTY	INFO
AA-016211200	PROMOTIONAL DUMP BIN DOUBLE ADJUSTED BOTTOM D-800 L-1200 H-500	1	SET

DISPLAY STAND PROMOTIONAL DUMP BINS 3 LEVEL



- SALE OF BULK ARTICLES
- 3 LEVELS OF EXPOSURE
- LIGHT & MOBILITY

Dimensions



CODE	NAME	QTY	INFO
AA-000930400	PROMOTIONAL DUMP BINS 3 LEVEL D-400 L-425 H-980	1	SET

DISPLAY STAND PROMOTIONAL



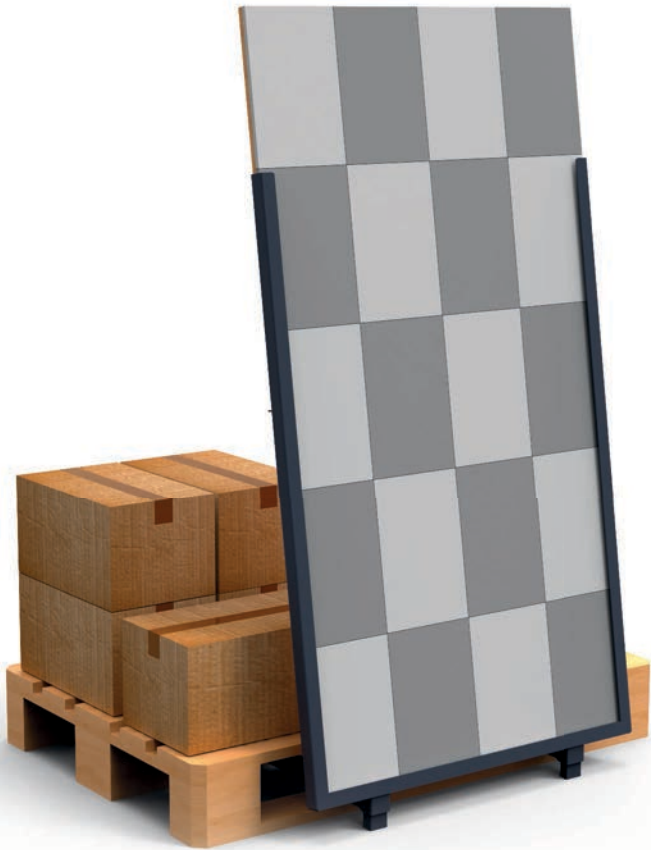
ANY
CONFIGURATION
ACCESSORIES RSB 15X30
(ARMS/HOOKS/SHELVES)

ATTRACTS CUSTOMER ATTENTION
EASY TO ASSEMBLE
ONE TOOL FOR PROMOTING
DIFFERENT PRODUCT GROUPS

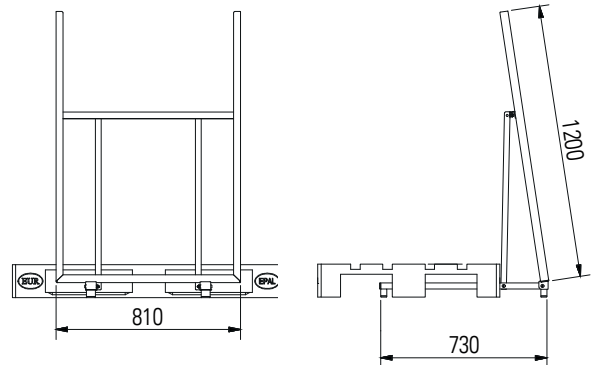
NO	CODE	NAME	QTY	INFO
1	AA-116730140	CONSTRUCTION DISPLAY H-1400 L-550	1	SET
2	PX-A02641352-90	BRANDING PANELS L+R (PCV 5MM)	1	ACCESSORIES
3	PX-A05000524-90	BRANDING PANEL - HEADER (PCV 5MM)	1	
4	AA-116743050	SHELF RSB 15X30 D-300 L-500	ACCORDING TO NEEDS	
5	...	ACCESSORIES RSB 15X30 (ARMS/HOOKS/SHELVES)	ACCORDING TO NEEDS	

TILES DISPLAY STAND UNDER THE PALLET

BIG AREA FOR PRESENTATION
EASY CHANGE EXPOSURE



Dimensions



CODE	NAME	INFO
AA-010100800	TILES DISPLAY STAND - UNDER THE PALLET	SET

DISPLAY STAND WITH HANDLE TO ADVERTISING



INFORMATION NEAR YOUR CLIENT

ADJUSTABLE HIGH

MUST HAVE FOR PROMOTIONAL

NO	CODE	NAME	QTY	INFO
1	AA-000500010	ADVERTISING DISPLAY „T“ (BASE) H-1500	1	SET
2	AA-000500011	HANDLE FOR ADVERTISING FRAME „T“ H-900 L-600	1	SET

NO	CODE	NAME	QTY	INFO
1	AA-000500020	ADVERTISING DISPLAY „L“ TYPE (BASE) H-1500	1	SET
2	AA-000500021	HANDLE FOR ADVERTISING FRAME „L“ H-900 L-330	1	SET

* THE ADVERTISING FRAMES NO IN SET.



WYPOSAŻENIE SKLEPÓW I MAGAZYNÓW

Poznań
60-478 Poznań
ul. Lutycka 105

tel. +48 61 847 28 32
tel./fax +48 61 841 15 73
tel. kom. 504 109 505
e-mail: poznan@mago-partner.com.pl

Warszawa
05-850 Ożarów Mazowiecki
ul. Poznańska 318

tel +48 22 725 76 36
tel./fax +48 22 725 76 67
tel. kom. 501 838 425
e-mail: warszawa@mago-partner.com.pl

Katowice
40-859 Katowice
ul. Pokoju 17

tel +48 32 298 03 83
tel./fax +48 32 298 04 83
tel. kom. 501 516 902
e-mail: katowice@mago-partner.com.pl

OD 2018 W ZGODNOŚCI Z ISO

